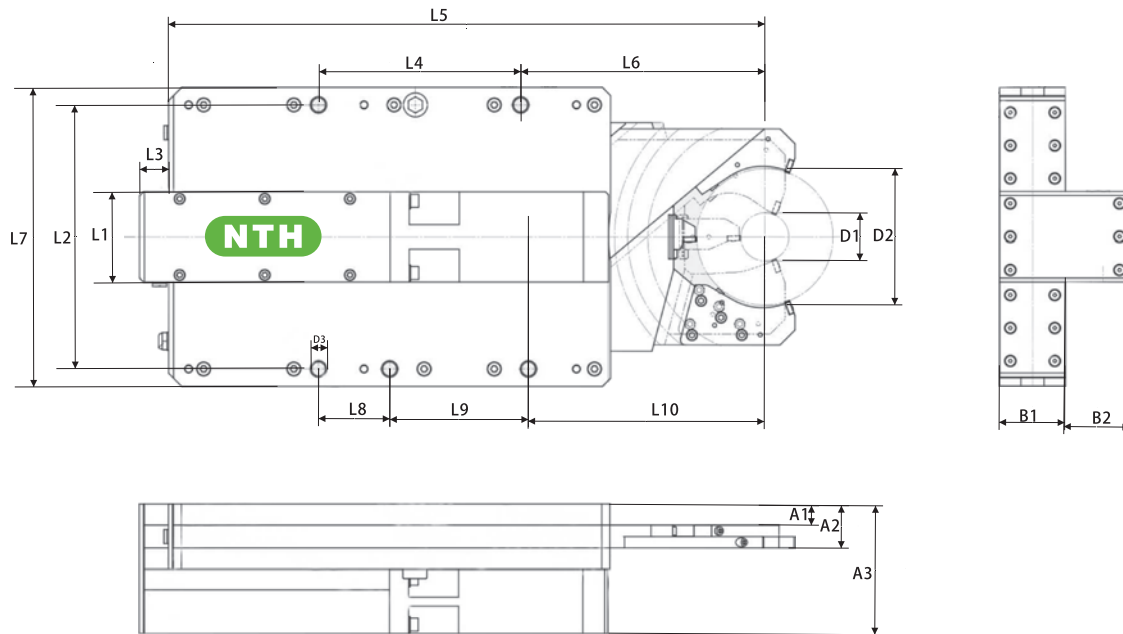


OMSR-E型



可非标订做
Non-standard requirements can be made

NTH-OMSR 型號/Model 規格/Spec	OMSR-E 1	OMSR-E 2	OMSR-E 3	OMSR-E 4
D1 (mm)	48	70	92	114
D2 (mm)	70	92	114	136
D3			M16×5	
L1 (mm)			90	
L2 (mm)			263.4	
L3 (mm)			29	
L4 (mm)			201.7	
L5 (mm)			595	
L6 (mm)			243.7	
L7 (mm)			310	
L8 (mm)			71	
L9 (mm)			138.5	
L10 (mm)			235.9	
A1 (mm)			21.2	
A2 (mm)			44.1	
A3 (mm)			129.5	
B1 (mm)			65.3	
B2 (mm)			64.2	
最大工作壓力 Work pressure Max. (bar)			35	
工作壓力 Work pressure (bar)			10/30	
重複定位精度 Repeatability accuracy (mm)			± 0.002	
重量 Weight (KG)			76.4	

• 非标准油缸按要求订货，保留技术更改！

Cylinders differing from standard available on request, Subject to technical changes.