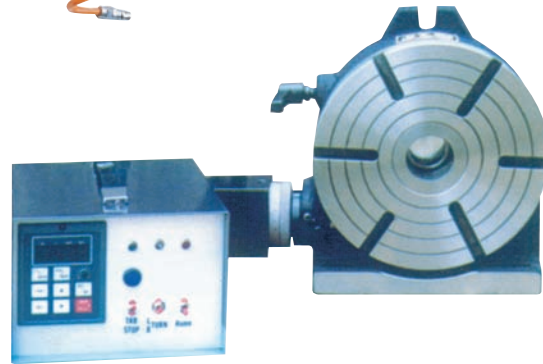
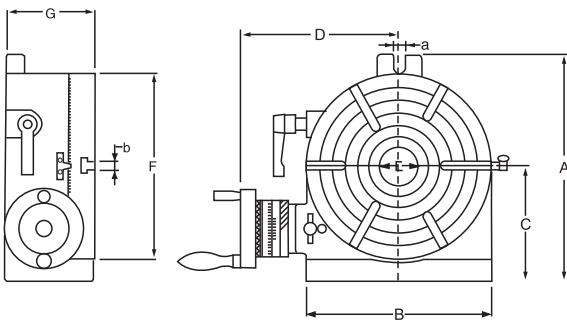
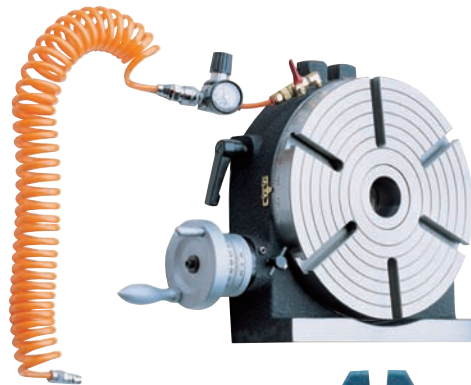


### 強力型分度盤

#### STRONG ROTARY TABLE



Use for air power  
the revolving operation to light



#### 特點:

- 1.本系列產品可加裝空壓系統，依載重調整轉盤即可輕輕操作旋轉“單柄兩段式鎖緊裝置，第一段可供圓弧加工調整轉盤鬆緊度，以控制加工時的震動。第二段鎖緊重切削不震動。
- 2.可搭配尾座、蜂窩板使用，尾座、蜂巢板為特別附件，齒輪比為90:1,蜂巢板以CNC機械分割而成，分度準確，2-1000之分割數，均可切出。

#### FEATURES:

- 1.The machine is supported by multiple-point force and sturdy.It can overcome the downward twisting force when vertical working disc holds heavy thing.
- 2.Adopt single-handle and two-stage design for fastening.The first-stage can provide arc processing treatment,adjust loose and tightness of rotary disc,and control the vibration during processing.The second-stage fastening can provide non-vibrating condition during cut-off.
- 3.Main shaft adopt two-stage design,enlarge fore internal cavity.(we can enlarge internal cavities if necessary).After section internal cavity can help to fasten the depth control of processing products.

項次 Item	檢查項目 Inspection	允許公差 Allowable error (mm)
1	回轉盤面平面度 Plain-ity of rotary disc's plain surface	0.015
2	盤平面與底座的平行度 Parallel-ity of rotary disc's plain surface and pedestal	0.02
3	盤平面與垂直基部的垂直度 Vertical-ity between plain surface during rotation	0.02
4	回轉中，盤面的平面度 Plain-ity of plain surface during rotation	0.015
5	回轉牌面中心孔同心度 Concentric-ity of plain surface's center opening	0.02
6	分割精度 Cut-off precision	4.5"

Unit:m/m

型號	A	B	C	D	E	F	G	a	b	重量G.W
HV-200	280	200	150	215	50(MT4)	200	120	16	12	33kg
HV-250	310	250	155	217	50(MT4)	250	120	16	12	43kg
HV-300	365	300	180	252	50(MT4)	300	120	16	12	57kg

